



PRODUCT INFORMATION

FEBRUARY 2017



QM150B FLOMEC 1" Mechanical Flow Meter

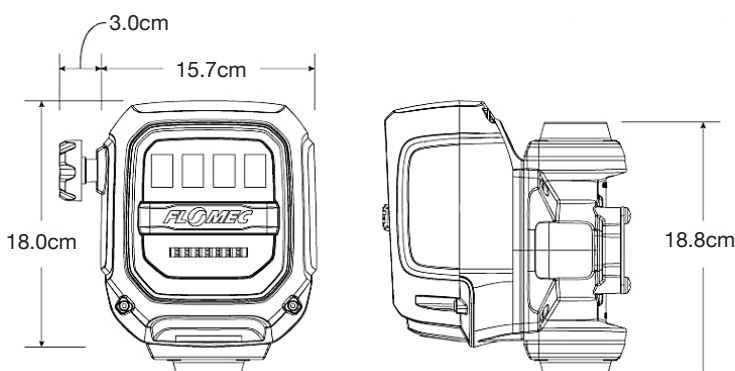
The QM150B Flomec 1" BSP mechanical flow meter with 4 digit display available from Alemlube is an extremely accurate meter suitable for use with diesel, kerosene and light oils and adopts oval gear technology resulting in precise and reliable performance.

Suitable for rotary hand pump applications, the QM150B can also effectively be used for gravity feed diesel transfer.

The QM150B offers an impressive flow rate range of 8 L/min to 150 L/min and frictionless Magnetic Drive Technology that guarantees no leaks during operation and the positive displacement oval gear technology means that no calibration of the meter is required.

A versatile rotatable display allows greater flexibility of installation to suit specific user requirements and with a maximum working pressure of 50psi (3.5bar) the QM150B experiences a pressure drop of only 7psi at a maximum flow rate of 150 L/min.

Australian manufacture in line with Australian conditions is your reassurance that the QM150B 1" mechanical flow meter can be the number one choice for accurate and dependable diesel, kerosene and light oil metering.



PRODUCT SPECIFICATIONS, FEATURES AND BENEFITS

Made in Australia

Highly precise Positive Displacement Oval Gear Technology

Frictionless Magnetic Drive Technology producing no leaks

Flow rates from 8 L/min to 150 L/min @ accuracy to $\pm 0.5\%$ of reading

Large 4 digit mechanical display for easy viewing

Rotatable mechanical display

1" BSP (f) inlet and outlet ports

Maximum operating pressure of 50psi (3.5bar)

Operating temperature range of -40°C to $+52^{\circ}\text{C}$

Maximum batch total: 9999.9

Maximum cumulative total: 99,999,999

Aluminium body, PPS rotors, stainless steel shafts with built in strainer

No calibration required

ORDERING INFORMATION

QM150B
1" Mechanical Flow Meter

