

#### Description

Model 5060AN is a high volume, manually operated, rotary action drum pump that delivers up to 110 Litres per minute. It is designed for the refuelling of both on and off road vehicles and large machinery. The simple design of the 5060AN allows easy servicing if required. The pump comes complete with delivery hose and includes a replaceable foot filter.

#### Specifications

Suitable for	Diesel and low viscosity oils up to SAE 30
Flow rate	1.1 litre per rotation / 110 litres per minute
Materials	Cast Aluminium, Buna N Seals
Weight	7.0kg
Size	Suction pipe: 32mm OD x 1m delivery hose: 25mm x 2.6m long

#### Operating instructions

##### 1 Revolution Direction

The handle turns in a clockwise direction and the pump discharges 1.1 litre per one revolution of the handle.

##### 2 Filter

A filter of #80 mesh polyethylene net is supplied as standard on the pump and is located at the bottom of the suction pipe. Rotating the handle and therefore operating the pump may become harder if the filter is clogged with impurities that may have been filtered out of the fuel or low viscosity oil. It is recommended that you remove the filter periodically and clean it with kerosene.

##### 3 Cautions

Suitable liquids include most low viscosity liquids such as diesel, unleaded petrol, kerosene and low viscosity oils. Although the pump can be used to pump other liquids of high viscosity, the pump becomes harder to operate and doing so will shorten the life of the pump & may void the warranty. Do not use this pump for any solvent or chemical transfer as these liquids will dissolve the Buna N seals and gaskets, etc.

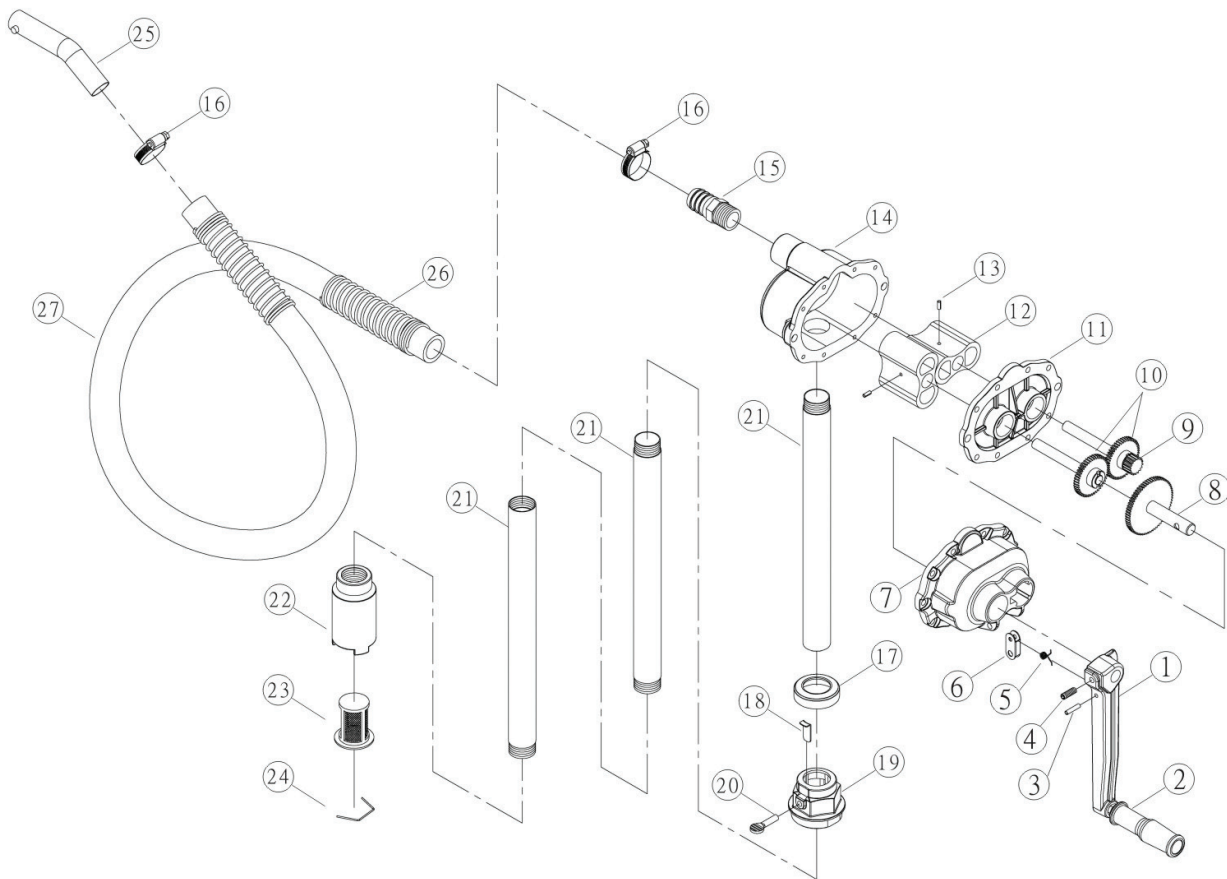
(Use the 301-A, 401-A, 733 or 933 for solvents).

Please note when pumping fuels like kerosene, petrol or diesel, these products tend to "dry out" the internals of the pump causing parts "to stick" and the pump not to prime and dispense. To stop this from happening and to increase the working life of your pump, we recommend that you lubricate the gears of the pump by dropping a few drops of oil into the pump body by taking off hose tail (5060AN-15) & lubricating at this opening (5060AN-14). After undertaking lubrication of the pump in such a manner, please rotate the handle a few times.

Do not pump liquids containing dirt or particles such as waste oil. Strained liquids may block the filter, preventing discharge, which can damage the pump interior or cause other problems.



# Parts and Drawing Breakdown for the 5060AN



## Ordering Spare Parts

### Parts List – Part No. 5060AN

No.	PARTS LIST	QTY	No.	PARTS LIST	QTY
5060AN-1	CRANK ARM	1	5060AN-15	HOSE TAIL	1
5060AN-2	HANDLE	1	5060AN-16	HOSE BAND	1
5060AN-3	PIN	1	5060AN-17	COVER	1
5060AN-4	HEXAGON BOLT	1	5060AN-18	LOCKING PLATE	1
5060AN-5	SPRING	1	5060AN-19	ADAPTAR SCREW	1
5060AN-6	LOCK BRACKET	1	5060AN-20	THUMB SCREW	1
5060AN-7	GEAR COVER	1	5060AN-21	SUCTION TUBE	3
5060AN-8	REINFORCEMENT GEAR	1	5060AN-22	FILTER BODY	1
5060AN-9	PINION GEAR	1	5060AN-23	STRAINER	1
5060AN-10	TIMING GEAR	2	5060AN-24	FILTER STOPPER	1
5060AN-11	INSIDE COVER	1	5060AN-25	SPOUT	1
5060AN-12	ROOTS	2	5060AN-26	RED RING	2
5060AN-13	PIN	2	5060AN-27	DELIVERY HOSE	1
5060AN-14	PUMP BODY	1			

NSW

TEL: (02) 9939 0711  
FAX: (02) 9939 0411

QLD/PNG

TEL: (07) 3204 9166  
FAX: (07) 3204 1224

VIC/TAS

TEL: (03) 8787 8288  
FAX: (03) 8787 8266

WA

TEL: (08) 9302 4199  
FAX: (08) 9303 2095

SA/NT

TEL: (08) 8241 7111  
FAX: (08) 8241 7011

NZ

TEL: (09) 447 1007  
FAX: (09) 447 1008