

508 SERIES HIGH VOLUME HOSE REEL



HEAVY DUTY REEL BUILT FOR MAXIMUM DURABILITY.

WHEN FAST AND EFFICIENT DELIVERY COUNTS.

Applications:

- High volume air and water dispense.
- High volume oil dispense or transfer.
- Diesel fuel dispense or transfer
- Evacuation of waste oil.

MAIN FEATURES AND BENEFITS

Long-life heavy duty design. Double arm all metal design provides the robustness and strength required to stand up to the most demanding environments. Heavy gauge steel, 4 mm welded base and epoxy powder coated finish for long life durability.

Bearing mounted spool. The spool is mounted on two permanent lubricated and sealed ball bearings. Minimum friction to reduce torque load on power spring for smooth retraction and durability.

Full port design. Real 1" port, absolutely no flow restrictions in shaft and swivel path.

Optimized power spring life and performance. High fatigue resistance spring for a long, trouble free life. Optimized strength for an easy hose pull out, especially those last few meters. Pre-stressed spring for even tension over the life of the reel design. Ratchet is never locked when the hose is fully extended in any mounting position.

Easy installation and maintenance. Outlet arm can be placed in 6 positions for optimum installation. Hose reel maintenance can be easily done without dismantling the reel from its position.

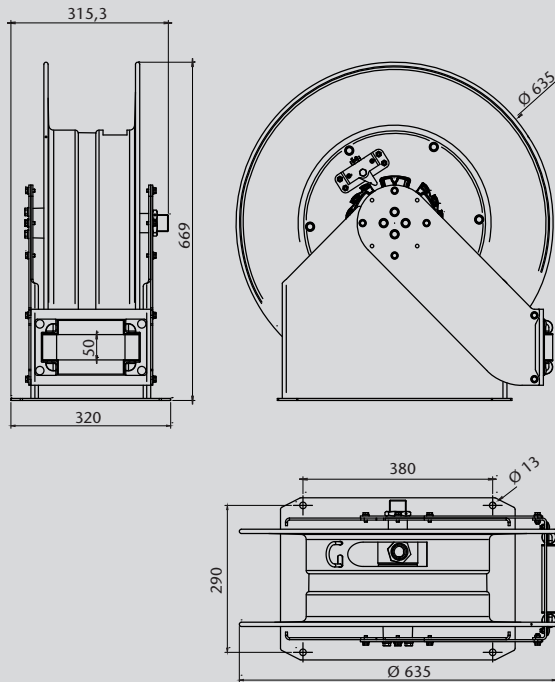
Narrow design. More reels fit in a smaller area.

Zinc plated steel rollers. Extra strength and durable outlet for longer life even with rough skinned hoses in muddy conditions.



Very robust structure, easy hose latch, ball bearings mounted spool and real 1" shaft and swivel makes this reel ideal for high volume applications.

TECHNICAL SPECIFICATIONS



PART No.	HOSE LENGTH	HOSE DIAMETER NOMINAL - O.D. x I.D.	OUTLET THREAD	INLET THREAD	HOSE PRESSURE RATING	HOSE BURST PRESSURE	NET WEIGHT	REEL WITHOUT HOSE PART No.
LOW PRESSURE AIR, WATER, DIESEL								
508 125	15 m - 50'	1" - 34,4 x 25,4 mm	Male R 1"	Male R 1"	25 bar - 360 psi	100 bar - 1.450 psi	50 kg	508 925
508 152	30 m - 100'	1/2" - 19,7 x 12 mm	Male R 1/2"	Male R 1"	28 bar - 400 psi	112 bar - 1.600 psi	55 kg	508 942
MEDIUM PRESSURE LUBRICANTS, WATER, DIESEL								
508 225	15 m - 50'	1" - 35,6 x 25,4 mm	Male R 1"	Male R 1"	90 bar - 1.250 psi	360 bar - 5.000 psi	56 kg	508 925
508 234	20 m - 65'	3/4" - 27,7 x 19 mm	Male R 3/4"	Male R 1"	100 bar - 1.500 psi	400 bar - 6.000 psi	55 kg	508 924
508 244	25 m - 80'	3/4" - 27,7 x 19 mm	Male R 3/4"	Male R 1"	100 bar - 1.500 psi	400 bar - 6.000 psi	57 kg	508 944
508 252	30 m - 100'	1/2" - 20 x 12 mm	Male R 1/2"	Male R 1"	140 bar - 2.000 psi	550 bar - 8.000 psi	55 kg	504 942

SAMOA INDUSTRIAL, S.A.
 Spain and export markets
 BOX 103
 Pol. Ind. Porceyo, I-14 - Camino del Fontán, 831
 E-33392 GIJÓN (Asturias) SPAIN
 Tel.: +34 985 381 488 - Fax: + 34 985 147 213
 export@samoaindustrial.com - www.samoaindustrial.com

SAMOA Ltd. - UK and Rep. Of Ireland
SAMOA S.A.r.l. - France
SAMOA-HALLBAUER GmbH - Germany and Austria
SAMSON Corporation - USA
SAMOA sales offices - China

©Copyright, SAMOA INDUSTRIAL, S.A., 2011

SAMOA INDUSTRIAL, S.A. is an ISO 9001, ISO 14001 and OHSAS 18001 certified company.



DISTRIBUTOR: