

Description

The WP1290 large capacity water hose reel is supplied complete with 30 metres of 12mm ID hose, a 1.2 metre long lead-in hose and a water nozzle. Ideal for industrial, automotive, agricultural or garden applications where long lengths of hose are required, the WP1290 provides you with a cost effective means of storing and retrieving longer type hose assemblies in your workshop or garden. The reel can be wall, ceiling or floor mounted and the detachable mounting bracket facilitates simple reel mounting and storage (if required). The convenient carry handle also assists in the process of mounting and/or storing your new WP1290. The WP1290 has a maximum working pressure of 140psi (10 bar).

Specifications

Uses	Water
Hose Length	30 metres of 12mm ID hose
Materials	Plastic covers and shave assembly, steel spring and pvc hose
Weight	15kg
Outlet/Inlet	Standard water nozzle and 3/4" BSP (f) inlet
Max. Temperature	60°C

Installation of the Reel

- 1 You will need to purchase the appropriate hardware for the mounting of your hose reel.
- 2 The base of the hose reel has three 10.5mm (13/32") drilled holes for mounting the reel on a suitable flat surface. Figure A shows the correct location of the 3 mounting holes on the base of the reel.
- 3 Using the three holes in the base, mount the reel in the desired location. Be sure to use appropriate hardware to tighten securely.
- 4 Connect the end of the inlet hose assembly to the desired source of supply.
- 5 If you require a non standard water nozzle, the existing nozzle can be easily replaced with the nozzle of your choice. Check connections for any leaks. Also, check the WP1290 for correct operation..... see the operation section as below.
- 6 If you wish to adjust the position of the hose stop, loosen the hose stop bolts, slide the stop to a position close to the hose guide assembly and retighten the bolts, unlatch the reel, pull the hose from the reel and allow the reel to latch at the desired length.



Operation

- 1 Check your WP1290 large capacity water hose reel for correct operation by slowly pulling out the hose. A clicking noise will be heard every half revolution of the sheave assembly.
- 2 To latch the reel, pull the hose out and allow it to latch after hearing the first, second or third "click".
- 3 To de-latch the reel, slowly pull out the hose until the clicking noises stop then let the hose retract until the hose stop rests against the hose guide assembly.

Warnings & Safety Issues

To avoid damaging your WP1290 large capacity water hose reel, always hold onto the hose while it is rewinding back on to the sheave assembly. Failure to do so will void the manufacturer's warranty.

Also, periodically you will need to check the hose for wear and tear and check the swivel fitting for any leaks. Immediate replacement of any worn, damaged or leaking parts is required.

General

Thank you for choosing to buy and use the WP1290 Large Capacity Water Hose Reel supplied by Alemlube Lubreq. We trust that the WP1290 proves to be a reliable, time saving, cost saving and a productivity increasing piece of equipment for you and your company.

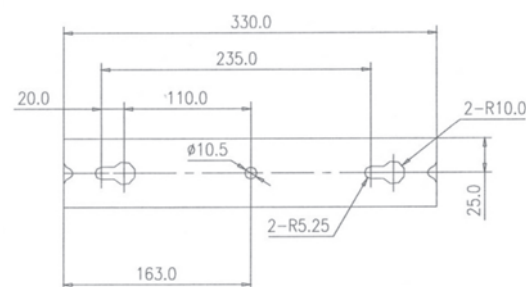


Figure A

NSW

TEL: (02) 9939 0711

FAX: (02) 9939 0411

QLD/PNG

TEL: (07) 3889 8480

FAX: (07) 3889 8490

VIC/TAS

TEL: (03) 8787 8288

FAX: (03) 8787 8266

WA

TEL: (08) 9209 3066

FAX: (08) 9209 3933

SA/NT

TEL: (08) 8241 7111

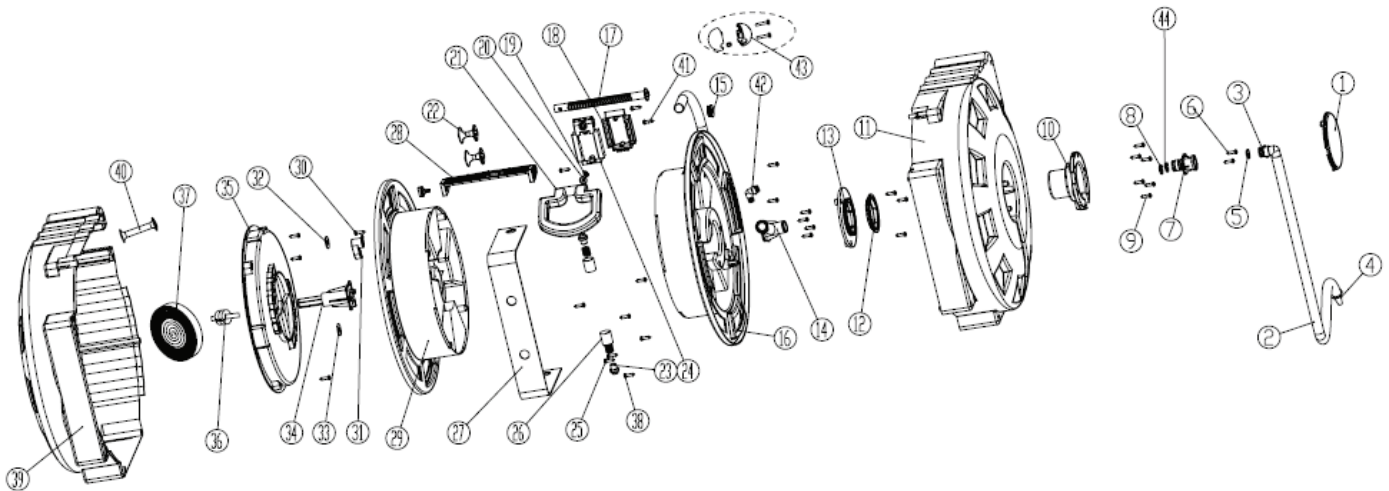
FAX: (08) 8241 7011

NZ

TEL: (09) 447 1007

FAX: (09) 447 1008

Parts And Drawing Breakdown WP1290



Ordering Spare Parts

Parts List – Part No. WP1290

Item No.	Part No.	Description	QTY	Item No.	Part No.	Description	QTY
1	WP1290-1	Cover	1	23	WP1290-23	Roller axle	2
2	WP1290-2	Hose	1	24	WP1290-24	Roller frame	1
3	WP1290-3	Elbow fitting	2	25	WP1290-25	Spring	2
4	WP1290-4	Fitting	1	26	WP1290-26	Support bushing	2
5	WP1290-5	O-ring	2	27	WP1290-27	Bracket	1
6	WP1290-6	Screw	20	28	WP1290-28	Taxis	1
7	WP1290-7	Swivel spool	1	29	WP1290-29	Drum	1
8	WP1290-8	O-ring	2	30	WP1290-30	Ratchet Paw	1
9	WP1290-9	Screw	4	31	WP1290-31	Spring dog	1
10	WP1290-10	Bushing	1	32	WP1290-32	Washer	1
11	WP1290-11	Outer casing	1	33	WP1290-33	Washer	1
12	WP1290-12	Baffle	1	34	WP1290-34	Spring axle	1
13	WP1290-13	Big gear	1	35	WP1290-35	Spring cover	1
14	WP1290-14	Swivel body	1	36	WP1290-36	Spring core	1
15	WP1290-15	Small gear	1	37	WP1290-37	Main spring	1
16	WP1290-16	Drum	1	38	WP1290-38	Screw	13
17	WP1290-17	Taxis axle	1	39	WP1290-39	Outer casing	1
18	WP1290-18	Roller	1	40	WP1290-40	Rail	1
19	WP1290-19	Moving unit	1	41	WP1290-41	Screw	2
20	WP1290-20	Mandril	1	42	WP1290-42	Elbow fitting	1
21	WP1290-21	Handle	1	43	WP1290-43	Hose stop assy	1
22	WP1290-22	Roller	2	44	WP1290-44	O-ring	2

NSW

TEL: (02) 9939 0711
FAX: (02) 9939 0411

QLD/PNG

TEL: (07) 3889 8480
FAX: (07) 3889 8490

VIC/TAS

TEL: (03) 8787 8288
FAX: (03) 8787 8266

WA

TEL: (08) 9209 3066
FAX: (08) 9209 3933

SA/NT

TEL: (08) 8241 7111
FAX: (08) 8241 7011

NZ

TEL: (09) 447 1007
FAX: (09) 447 1008