

### Description

With covers manufactured from high quality impact resistant and UV stabilised polypropylene and a positive latching mechanism that automatically locks hose at the desired length, the new S Series of plastic hose reels from Alemlube will provide you with a reliable & cost effective means of storing and retrieving hose assemblies in your workshop or garden. The reels can be ceiling or wall mounted & the detachable mounting bracket facilitates ease of reel mounting & storage.

### Specifications

Uses/Pressure	Air and Water. Max. operating pressure: Air Reels: 290psi Water Reel: 145psi
Hose Lengths	SW500 – 18m x 12mm ID hose
Materials	Plastic covers, steel spring & Buna "N" seals
Pressure	SW500 – 145 psi (10 bar)
Weight/Dimensions	10kg / 490mm (L) x 448mm (H) x 228mm (W)
Inlet/Outlet	SW500-Lead in hose: 3/4" BSP Female fitting x quick coupler, outlet hose quick connector with nozzle
Working Temp	0°C – 50°C

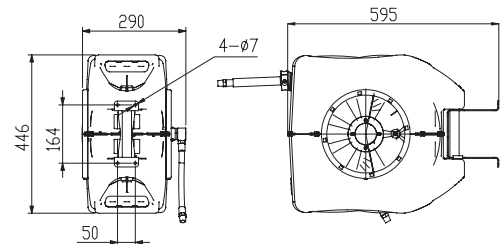
### Installation Of Reel

- 1 For overhead ceiling mounting: install reel at most, 3m above the floor.
- 2 You will need to purchase appropriate hardware for the mounting of your new reel.
- 3 The reel base has four 7mm (11/16") drilled holes for mounting on a suitable flat surface. Figure 2 is a template showing the correct location of the 4 mounting holes in the base.
- 4 Using the three holes in the base, mount the reel in the desired location. Be sure to use appropriate hardware and to tighten the reel securely to the mounting location.
- 5 Apply Teflon tape or pipe sealant to the outlet fitting on the hose & then attach to desired tool or nozzle. Check connection for any leakage & check the reel for correct operation. See operation section. If hose stop adjustment is required, pull hose from reel and allow the reel to latch at the desired length. Loosen hose stop bolts and slide hose stop to a position close to the hose guide. Tighten hose stop bolts and unlatch the reel.



### Operation

- 1 Check your S Series reel for correct operation by slowly pulling out the hose. A clicking noise will be heard every half revolution of the drum.
- 2 Latching mode switch, when your S Series reel is in free run state, pull out the hose and allow it to retract after hearing the first, second or third click.
- 3 To unlatch the reel, slowly pull out the hose until the clicking noise stops, and then let the hose retract until the hose stop rests against the hose guide.
- 4 NOTE: To avoid damage to your S Series reel, always hold onto the hose while it is rewinding. Periodically check the hose condition for wear or damage and check the swivel fitting for leakage. Replace any worn, damaged or leaking parts.

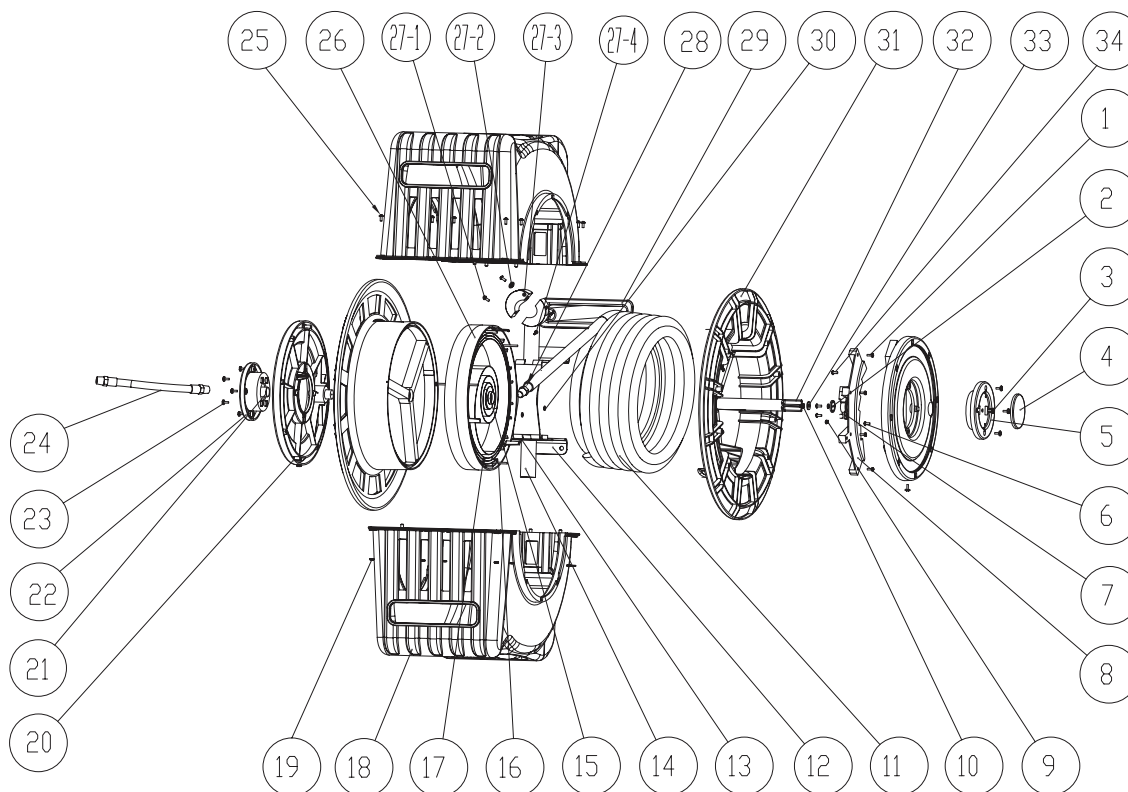


### Warning

- 1 Make sure incoming line pressure does not exceed the rated operating pressure for your model hose reel.
- 2 Use proper eye protection when assembling and using the hose reel.
- 3 Use soap and water when checking for leaks.
- 4 Keep children away from the work area.



# Parts and Drawing Breakdown For S Series Hose Reels



## Ordering Spare Parts SA300/SA400/SW500 Spare Parts List

Item No.	Part No.	Description	QTY
1	SA300-1	Screw ST4.8x13 F	8
2	SA300-2	Clip for Ratchet	1
2A	SA300-2-7-9-10-20	Ratchet Assembly	1
3	SA300-3	Screw ST4.2x16 F	8
4	SA300-4	Small Cover	1
5	SA300-5	Cover for Axle	1
6	SA300-6	Screw ST2.9x13 F	2
7	SA300-7	Ratchet	1
8	SA300-8	Ratchet Ring	2
9	SA300-9	Ratchet Spring	1
10	SA300-10	Screw ST3.5x13 C	3
11	SA300-11	Hose Assembly	1
11A	SA400-11	Hose Assembly	1
11B	SW500-11	Hose Assembly	1
12	SA300-12	Bracket	1
13	SA300-13	Stator	1
14	SA300-14	Axle	1
15	SA300-15	Stator	2
16	SA300-16	Screw ST4.87x75 C	3
17	SA300-17	Main Spring	1
18	SA300-18	Cover	2
19	SA300-19	Nut M4	10
20	SA300-20	Big Cover	1

Item No.	Part No.	Description	QTY
21	SA300-21	Swivel Assembly	1
21A	SA400-21	Swivel Assembly	1
21B	SW500-21	Swivel Assembly	1
22	SA300-22	Cover for Spool	1
23	SA300-23	Screw M5x12	2
24	SA300-24	Inlet Hose Assembly	1
24A	SA400-24	Inlet Hose Assembly	1
24B	SW500-24	Inlet Hose Assembly	1
25	SA300-25	Screw M4x10	10
26	SA300-26	Spring Clamp	1
27-1	SA300-27-1	Screw M6x40	2
27-2	SA300-27-2	Washer 8	2
27-3	SA300-27-3	Hose Stopper	1
27-3A	SA400-27-3	Hose Stopper	1
27-3B	SW500-27-3	Hose Stopper	1
27-4	SA300-27-4	Nut	2
28	SA300-28	Tube Fitting	1
29	SA300-29	Guide Protector	1
30	SA300-30	Washer 3	3
31	SA300-31	Drum	2
32	SA300-32	Main Axle	1
33	SA300-33	Washer 4	1
34	SA300-34	Screw ST2.9x9.5C	1

NSW

TEL: (02) 9939 0711  
FAX: (02) 9939 0411

QLD/PNG

TEL: (07) 3204 9166  
FAX: (07) 3204 1224

VIC/TAS

TEL: (03) 8787 8288  
FAX: (03) 8787 8266

WA

TEL: (08) 9209 3066  
FAX: (08) 9209 3933

SA/NT

TEL: (08) 8241 7111  
FAX: (08) 8241 7011

NZ

TEL: (09) 447 1007  
FAX: (09) 447 1008