

Description

The H10300 & H12220 hand crank bare hose reels are constructed from heavy gauge powder coated steel for use in most low to medium pressure applications. From a capacity of 10mm ID x 100 metres for the H10300 to 12.5mm ID x 75 metres for the H12220, both models come complete with a full flow brass swivel assembly and self lubricating bearings. Ideal for wall mount, truck or ute mount, floor and workbench mount, both models feature a spring loaded pin to prevent hose de-reeling.

Specifications

Uses	A general range bare reel to store & handle your 10mm or 12.5mm hand crank hose requirements
Capacity	110mm ID x 100m (3/8" ID x 300 ft) or 12.5mm ID x 75m (1/2" ID x 220 ft)
Weight / Dimensions	Approx. 17kg bare / 50H x 22W x 48D cm
Max Pressure / Temp	3,000 psi / 100c

Safety Precautions

- 1 Please make sure the inlet pressure does not exceed the rated pressure for the hose.
- 2 Always use proper eye protection when assembling and using this hose reel.
- 3 Always assemble the hose reel on a clean work bench.
- 4 Use soap and water when checking for air leaks.
- 5 Keep children away from any work area.

Warning: Exposure of skin directly to pressurised air or fluids could result in severe injury.

Unpacking

When you receive your new hose reel, some assembly will be required. Check to ensure that you have received the loose part; item 19, the swivel valve assembly.

Installation and Assembly

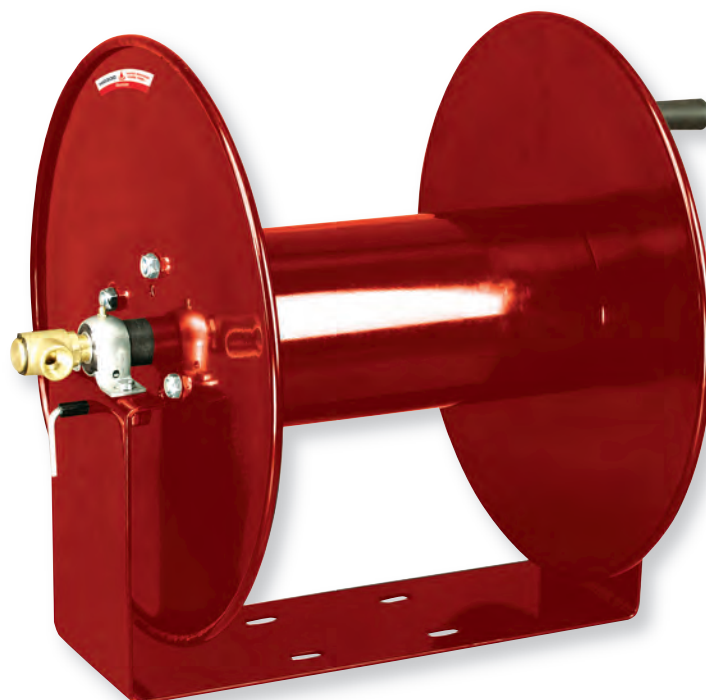
Note: You will need to purchase appropriate hardware for mounting your new reel. Holes have been provided in the reel base for mounting on a suitable flat surface. You will also need to supply hose for the reel. Refer to specifications for the correct hose length.

Refer to Diagram on page 2 for assembly.

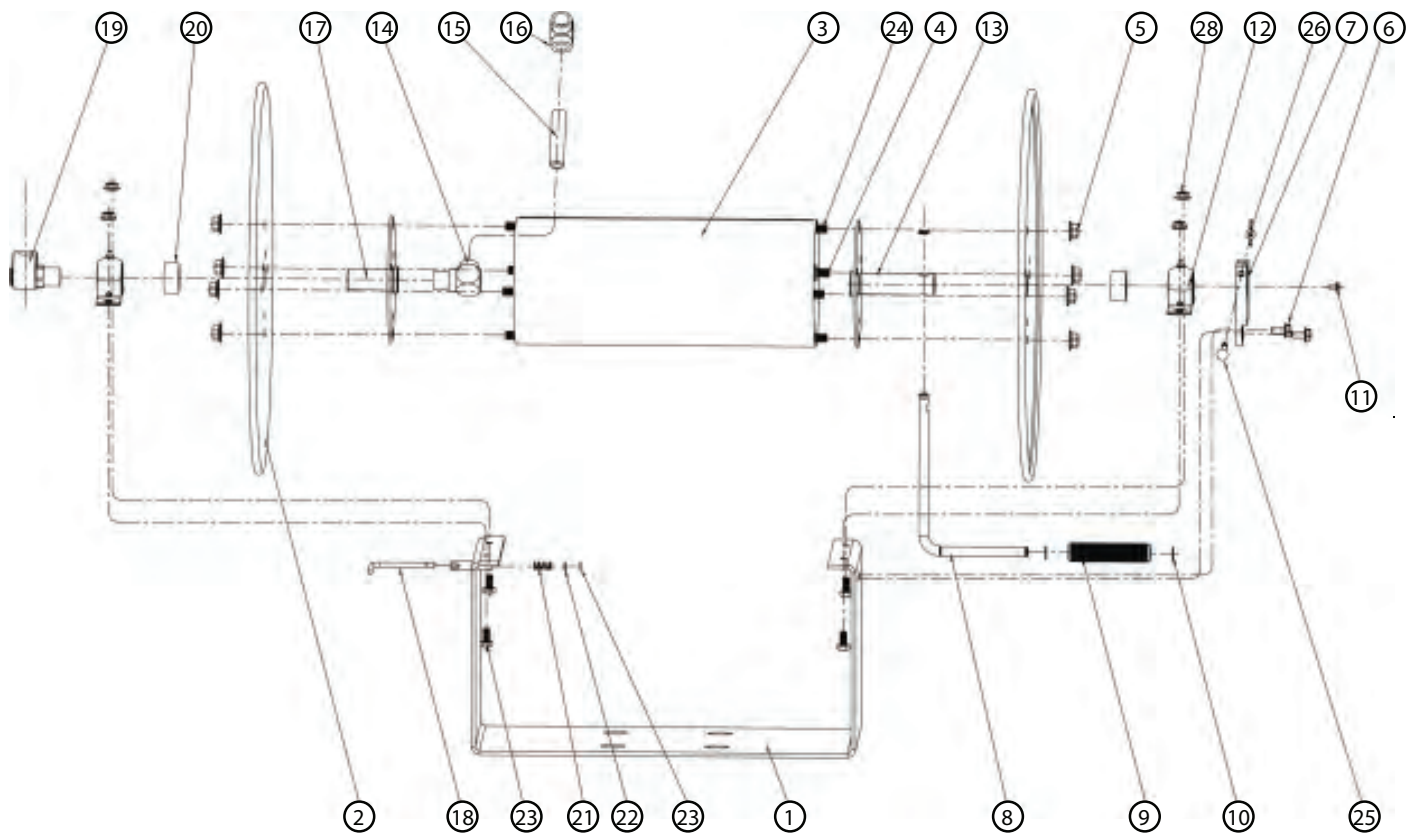
1. Apply teflon tape or pipe sealant to the swivel valve assembly item 19. Thread the swivel into the outside end of the axle and tighten.
2. Mount the hose reel in a suitable location by using the four holes in the reel base. 3/8" or 10MM bolts may be used. Mounting hardware is the customer's choice.
3. Apply teflon tape or pipe sealant to the inlet or supply hose fitting threads, connect to the swivel valve assembly and tighten.
4. Feed the rest of the hose through the sleeve opening and wind the remaining hose onto the reel. Hose length should be no greater than 100 metres when using 10mm ID hose and no greater than 75 metres when using 12.5mm ID hose.

Limited Warranty

1. The manufacturer warranty's this hose reel against defects in material & craftsmanship for 12 months from date of purchase.
2. Hose, (not supplied with reel), and O-rings are deemed to be normal wear items and are not under warranty.
3. The manufacturer's liability is limited to replacement or repair of defective material within the warranty period, when returned freight prepaid to Alemlube Lubrequip or their designated service depot.
4. The warranty does not cover damage caused by accident, misuse or faulty installation.



Parts And Drawing Breakdown H10300/H12220



Ordering Spare Parts

Parts List – Part No. H10300/H12220

Item No.	Description	Quantity
1	Base	1
2	Flange	2
3	Drum	1
4	Screw lever	1
5	Nut	8
6	Locking bolt	2
7	Bracket	1
8	Handle axle	1
9	Handle	1
10	Circlip	3
11	Bolt	1
12	Bearing assy	2
13	Support assy	1
14	Fitting	1
15	Link tube	1
16	Fitting	1
17	Support assy	1
18	Locking pin	1
19	Swivel valve assy	1
20	Plastic bushing	2
21	Spring	1
22	Washer	1
23	E-ring	1
24	Stud	3
25	Bolt	1
26	Nut	1
27	Bolt	4
28	Nut	4

NSW

TEL: (02) 9939 0711
FAX: (02) 9939 0411

QLD/PNG

TEL: (07) 3889 8480
FAX: (07) 3889 8490

VIC/TAS

TEL: (03) 8787 8288
FAX: (03) 8787 8266

WA

TEL: (08) 9209 3066
FAX: (08) 9209 3933

SA/NT

TEL: (08) 8241 7111
FAX: (08) 8241 7011

NZ

TEL: (09) 447 1007
FAX: (09) 447 1008