

Medium-Pressure Stationary Pump

Description

The major components of the stationary pump assembly in the 9960 model series consist of a(n):

- air-operated motor
- double-acting reciprocating pump tube
- extension
- bung adapter (Models 9960, 9969-B)
- drum cover assembly (Model 9960-A)

Pump Assembly

The medium-pressure (5:1 ratio) pump included with the assembly is designed to deliver all grades of oil directly from their original containers.

Models 9960, 9960-A, and 9969-B

Models 9960 and 9960-A include an extension to accommodate 16-gallon containers.

Model 9960 has a stripped pump that includes a bung adapter while model 9960-A is equipped for attachment to a cover.

Model 9969-B includes a stripped pump with a bung adapter and an extension to fit a 55-gallon (200/205 liter) container. See **Figure 1**.

Specifications

***IMPORTANT:** For detailed information on the pump tube (including specifications and performance data) refer to SER 9968.*

For information on the motor, please refer to SER 339413.

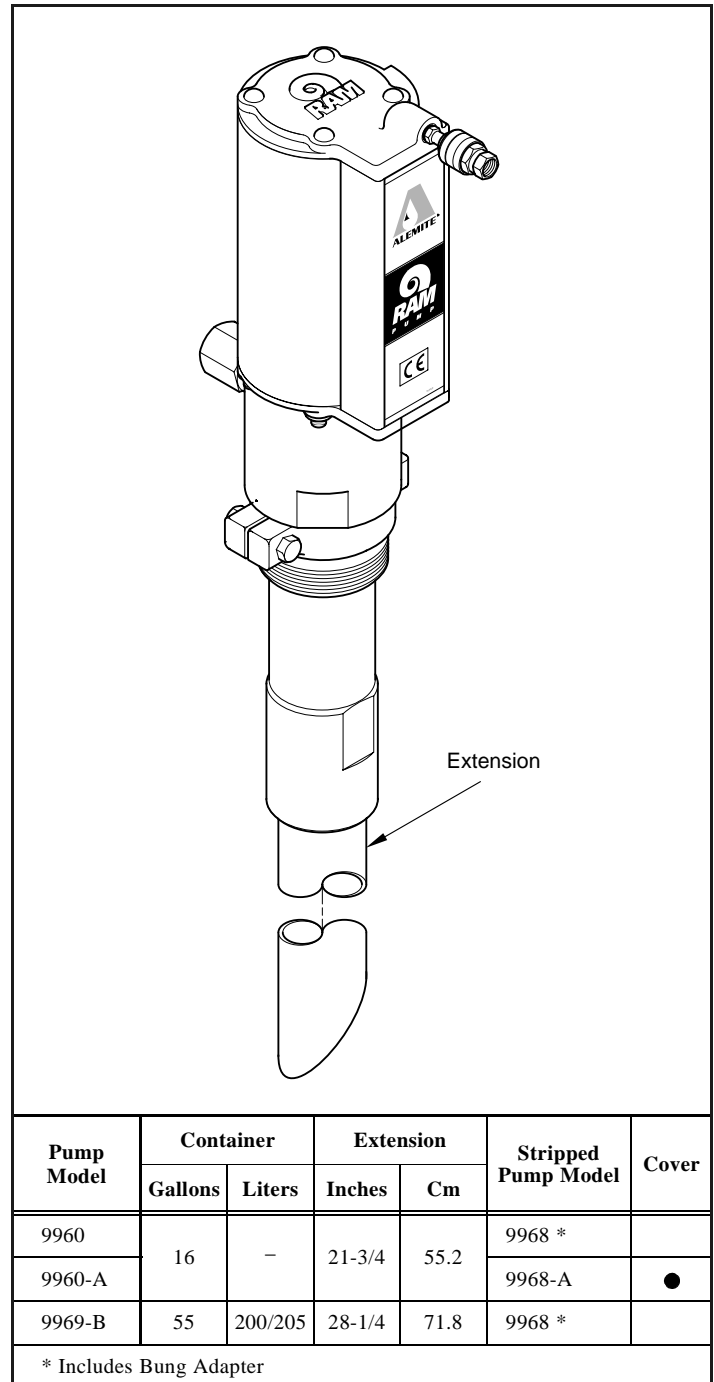


Figure 1 Stationary Pump Models 9960, 9960-A , & 9969-B
Models 9960 and 9969-B Shown

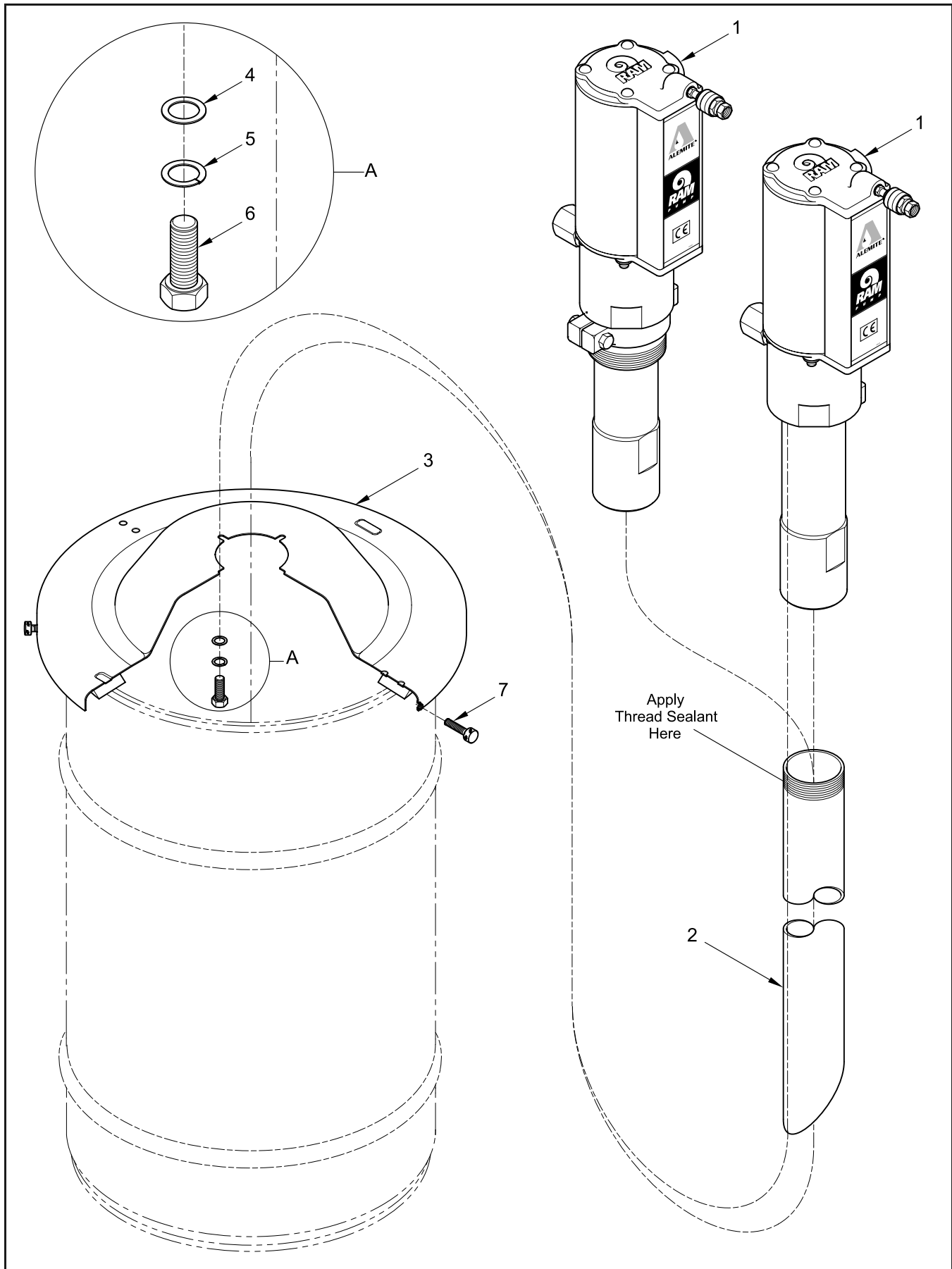


Figure 2 Medium-Pressure Stationary Pump Models 9960, 9960-A, and 9969-B- Exploded View

Item No.	Part No.	Description	Qty	Pump Model			Notes	Numeric Order Part # (Item #)
				9960	9960-A	9969-B		
1	9968	Pump Assembly (w/ Bung Adapter)	1	●		●	See SER 9968	9968 (1)
	9968-A	Pump Assembly (w/o Bung Adapter)	1		●			9968-A (1)
2	338147-1	Extension, 21-3/4 " Long	1	●	●			172207-1 (5)
	338147-2	Extension, 28-1/4 " Long	1			●		17804 (4)
3	338145	Cover Assembly (w/ Gasket)	1		●			48018 (7)
4		Washer, 1/4 "	4		●		Included with item 3	77786 (6)
5		Washer, Lock, 1/4 "	4		●			338145 (3)
6		Capscrew, 1/4 " -20 x 1/2 "	4		●			338147-1 (2)
7	48018	Screw, Thumb, 1/4 " -28	3		●			338147-2 (2)

Assembly

NOTE: Refer to **Figure 2** for component identification on all assembly procedures.

CAUTION

Select a clean environment for all assembly procedures. Prevent contamination from foreign material. Damage to components can occur.

NOTE: The following procedural steps are applicable to model 9960-A only.

Pump Assembly

IMPORTANT: Make sure to remove the protective cover from the inlet of Pump Assembly (1).

Do not apply thread sealant to the first two (2) threads of any connection. Contamination can occur.

1. Screw Extension (2) [with thread sealant] into the foot valve of the Pump Assembly.
 - Tighten the Extension securely.

2. Install the Pump Assembly into Cover (6).
3. Secure the Pump Assembly to the Cover with Washers (3), Lock Washers (4), and Capscrews (5).
 - Tighten the Capscrews securely in a crisscross pattern.
4. Fit the pump and cover assembly onto the container.
5. Secure the Cover to the container with Thumb Screws (7).

Changes Since Last Printing

Changed the components within Cover Assembly 338145

