

Description

The 7337 20kg grease kit is a manually operated, spring powered grease kit that comes complete with a booster gun. It is designed to fit a 2.5kg grease pail. The booster gun for the 7337, once loaded, is capable of approximately 30 high pressure shots before needing to be reprimed. The high pressure/high volume option facilitates quick and easy greasing with grease pressures of 10,000psi and dispensing quantities of up to 1.25 grams per stroke possible. Suitable for use with greases up to NLGI2, the light weight, rugged and portable unit makes light work of arduous greasing applications. The 7337 is the ideal greasing tool for people looking to minimize the time and effort required to grease their vehicles or machinery.

Specifications

Uses	Light and self collapsing grease
Discharge Quantity	Once loaded, approximately 30 shots – up to 1.25 grams of grease per shot
Size	2.5kg Grease Pails
Pressures	Up to 10,000psi

Important Please Note

Your 7337 20kg grease kit is designed for use with most greases, however, trouble free greasing is assured with the use of greases up to No. 2 consistency. That is, the kit is recommended for use with light and self collapsing greases.

Preparing Your 7337 20kg Grease Kit

- 1 Remove follower plate from the pump tube.
- 2 Insert follower plate into the grease container as shown with boss facing upwards. Push down firmly onto the grease until grease emerges through the boss.
- 3 Push the pump tube through the boss and down until the drum cover sits firmly on rim of grease container. Hand tighten the 3 thumbscrews evenly under rim of the container.
- 4 To achieve initial prime, push rod cap down several times by using your hand or foot to start grease flowing through the grease hose. When the hose is full of grease, the rod cap will stay down.
- 5 Squeeze gun handle and hold handle closed to bleed air out of the system. When fully bled, grease from out of the 2.5Kg drum will appear at the coupler.

Note: Grease must travel through entire length of hose to accomplish full bleeding and it may be necessary to repeat Step 4 a couple of times. If unit fails to prime, bump container base several times on a solid surface to settle the grease.



Operating Instructions

Your 7337 20Kg grease kit is now ready for operation.

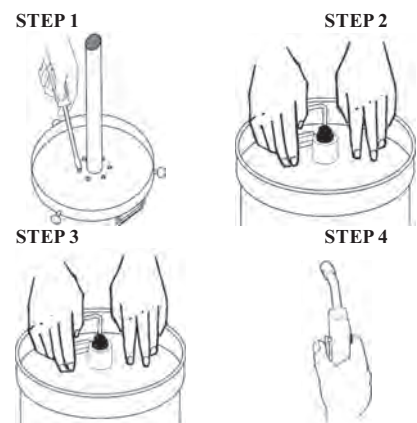
While greasing, the rod cap will rise slowly. When it is fully up and the hand piece loses pressure, push the rod cap down once or twice to reprime the system and to enable you to continue greasing. Each pump prime will provide sufficient grease for up to 30 grease shots. The hand piece is normally operated on the HI-VOLUME switch position. Should high pressure be required to help clear a blocked or seized lube point, simply move the button on the HI-PRESSURE position

Changing over 2.5kg grease drums.

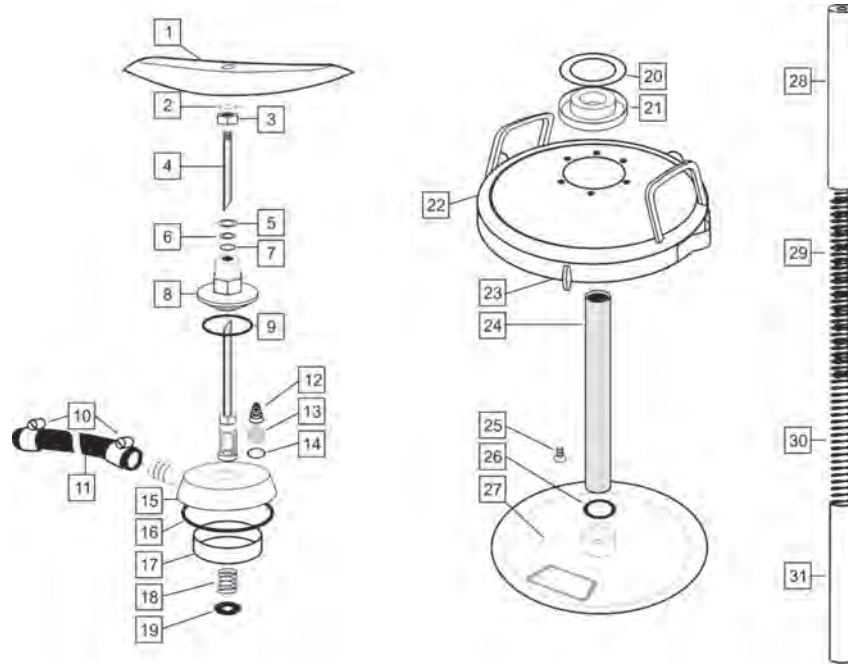
- 1 Unscrew the 3 thumbscrews.
- 2 Remove the 7337 from the container.
- 3 Remove follower plate from the empty 2.5kg grease drum and repeat preparation steps 2, 3 and 4.

How To Clean The Strainer

Should the strainer need cleaning, (refer trouble shooting guide, page 3, item C(b)), undo the nut at the base of the pump spring with a suitable spanner, remove assembly, lever off strainer cover and clean the appropriate parts as illustrated.



Parts and Drawing Breakdown For The 7337



Ordering Spare Parts

Parts List – Part No. 7337

Item Number	Part Number	Product Description
1	7337-1	Piston Rod and Cap Assembly
2	7337-2	Pump Spring
3	7337-3	Retainer Cap
4	7337-4	Washer
5	7337-5	Back up washer
6	7337-6	O'Ring
7	7337-7	Clamp Nut
8	7337-8	Sealing Washer
9	7337-9	Spirol Pin
10	7337-10	Piston
11	7337-11	Strainer Cover
12	7337-12	Handle
13	7337-13	Strainer
14	7337-14	O'Ring
15	7337-15	Drum Cover Base
16	7337-16	Pump Tube
17	7337-17	Ball Retainer
18	7337-18	9/16" Ball
19	7337-19	Footvalve
20	7337-20	Follower Plate
21	7337-21	O'Ring
22	7337-22	Thumb Screw
23	7337-23	Hose Clamp
24	7337-24	Hose Assembly
25	7337-25	O'Ring
26	7337-26	1/2" Ball
27	7337-27	Nut
28	7337-28	Ball Spring

NSW TEL: (02) 9939 0711 FAX: (02) 9939 0411	QLD/PNG TEL: (07) 3889 8480 FAX: (07) 3889 8490	VIC/TAS TEL: (03) 8787 8288 FAX: (03) 8787 8266	WA TEL: (08) 9209 3066 FAX: (08) 9209 3933	SA/NT TEL: (08) 8241 7111 FAX: (08) 8241 7011	NZ TEL: (09) 447 1007 FAX: (09) 447 1008
---	---	---	--	---	--

Trouble Shooting

Trouble	Cause	Remedy
Rod cap rises slowly when the hand piece is not in use (no visible external leakages)	(a) Dirt trapped between inlet ball (26) and piston (b) Piston O'Ring (25) defective or worn	(a) Unscrew clamp nut (7) and withdraw assembly. Clean ball (26) and piston (10) thoroughly. Reassemble (b) Replace piston O'Ring order (6336-6)
Rod cap springs up and the unit will not pump grease	(a) Air lock in grease caused by dent in container stops follower damaged O'Ring (21) in follower (20) (b) Grease container empty (c) Footvalve assy (19) faulty, holding ball (18) off seat	(a) Remove dents or tilt follower plate (20) under dent. Replace O'Ring (21) in follower plate (20). Change over to new container or refill with grease. Replace with new assy 6336-17-18-19 do not attempt to rework this part.
Rod cap stays down. The 2.5kg grease kit will not pump grease	(a) Grade of grease too heavy (b) Strainer blocked	(a) Use No. 2 grade of grease, or lighter. Force out old grease. (b) Unscrew clamp nut (7) and withdraw assembly. Using a screwdriver, lever off the strainer cover (11). Clean or replace the strainer (13). see general instructions below for cleaning technique.
Grease leaks at top of clamp nut (7)	Gland O'Ring (96) and back up washer (5) are defective or worn	Unscrew clamp nut (7) and withdraw assembly. Hold piston (10) and loosen the nut (27). Remove the pin (9) and withdraw the piston (10). Ease spring tension on the nut (27) by pushing against spring (92) on clamp nut (7) and carefully undo nut (27). Replace O'Ring (96) and back up washer (5). Order (6336-5). When re-assembling support piston (10) when driving pin (9) home, please ensure that the flat end of spring (2) fits in the cap (1).
Grease leaks at bottom of strainer cover (11)	(a) O'Ring (14) damaged (b) Spot welds broken	(a) Unscrew clamp nut (7) and withdraw assembly. Using screwdriver, lever off strainer cover (11) replace O'Ring Order (6336-14) (b) Replace drum cover base (15).
Grease leaks from under clamp nut (7)	(a) Dirt under clamp nut (7) (b) Damaged seal washer (8)	(a) Undo and clean surfaces (b) Replace seal washer. Order (6336-8).

NSW
TEL: (02) 9939 0711
FAX: (02) 9939 0411

QLD/PNG
TEL: (07) 3889 8480
FAX: (07) 3889 8490

VIC/TAS
TEL: (03) 8787 8288
FAX: (03) 8787 8266

WA
TEL: (08) 9209 3066
FAX: (08) 9209 3933

SA/NT
TEL: (08) 8241 7111
FAX: (08) 8241 7011

NZ
TEL: (09) 447 1007
FAX: (09) 447 1008