

Description

The 51002 12 volt & 51003 24 volt electric drum pumps are designed for the transfer of diesel fuel. The pumps are powered by a heavy-duty 12 volt or 24 volt motor & come complete with a plastic telescopic downtube. The pumps have 3/4" BSP porting and can deliver diesel fuel at up to 38 litres per minute. The manual nozzle can be locked in the open flow position if required. Models 51002A and 51003A are inclusive of an Automatic shut off nozzle. Both models incorporate a built in bypass, 4 metres of delivery hose, a nozzle holster, a bung adaptor and 4 metres of battery cables.

Specifications

Uses	Diesel Fuel transfer
Voltage	12 Volt D.C. / 24 Volt D.C.
Current Drain	Approx 18 Amps at 12 VDC. / Approx 10 Amps at 24VDC.
Delivery Rate	Up to 38 Litres per minute
Weight	Approx 10 kg

Assembly Procedure Instructions

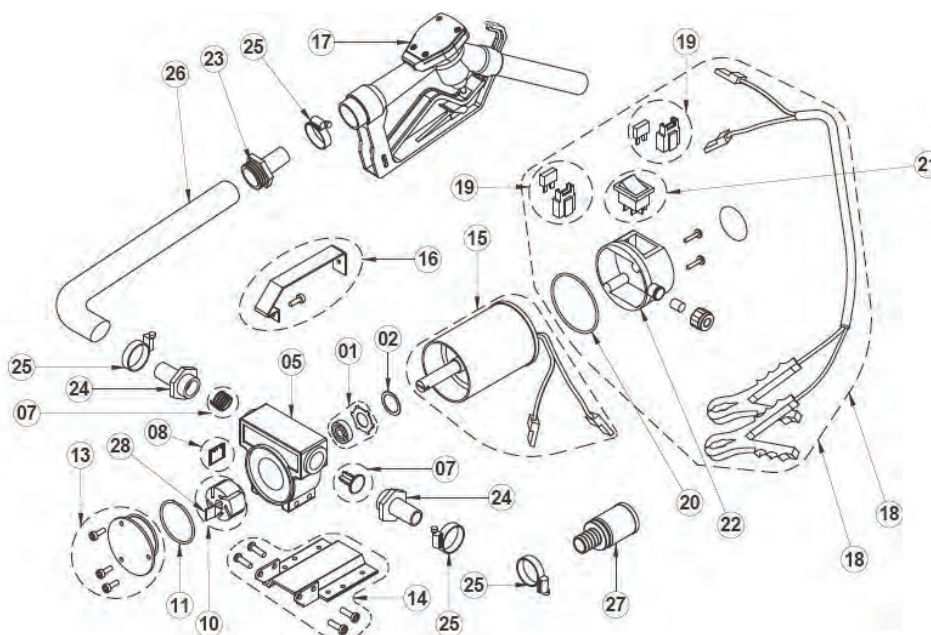
- 1 Connect the telescopic suction tube to the pump body ensuring that you connect the suction tube to the pump inlet as indicated by the arrow.
- 2 Then connect the hose assembly to the manual on/off or automatic shut off fuel nozzle.
- 3 Connect the hose and nozzle assembly to the pump and motor assembly ensuring that there are no leaks by using suitable thread tape.
- 4 Mount the nozzle holster to the pump with the aid of the screw set that accompanies the pump.
- 5 Connect the battery cables with the aid of the heavy-duty alligator clamps to a 12 (or 24V model) volt battery.
- 6 Turn on the intended power source.
- 7 The pump motor will start to drive the vane pump head and when you open the nozzle, diesel fuel should start to flow from the fuel nozzle.
- 8 When not in use, please store fuel nozzle in nozzle holster to ensure no contaminants can enter the fuel nozzle.

Important to note:

The 51002/A and 51003/A diesel refueling drum pumps have a duty cycle of 30 minutes. If you run the pumps for longer than 25 minutes it is likely that the motor will burn out. Please note that running the pumps for 30 minutes or more (which enables the transfer of 1140 litres of diesel fuel) **will automatically void the manufacturers warranty.**



Parts And Drawing Breakdown For The 51002/51003



Ordering Spare Parts

Parts List – Part No. 51002/51003

Part No.	Product Description
51002-1	Shaft seal
51002-2	Compensation ring
51002-5	Pump body
51002-7	By pass valve
51002-8	Pumps vane
51002-9	Pump rotor
51002-11	O ring
51002-13	Pump cover
51002-14	Pump base kit
51002-15	Kit motor
51002-16	Handle battery
51002-17	Self 2000 1
51002-18	Terminal BC
51002-19	12V fuse kit
51002-20	Gasket
51002-21	Single pole
51002-22	Kit terminal
51002-23	Hose tail
51002-24	Hose tail
51002-25	Clamp 20-32
51002-26	Hose
51002-27	Filter 1"
51002-28	Key, kit 25

Trouble Shooting

PROBLEM	REMEDY
Pump does not pump	Check that telescopic suction pump has been mounted to pump inlet
Pump motor is hot	Stop motor and give motor time to cool down. If the motor is over extended, it will burn out and the manufacturers warranty will be voided
Pump does not pump	Check all thread connections to ensure no fuel leaks exist.

NSW TEL: (02) 9939 0711 FAX: (02) 9939 0411	QLD/PNG TEL: (07) 3889 8480 FAX: (07) 3889 8490	VIC/TAS TEL: (03) 8787 8288 FAX: (03) 8787 8266	WA TEL: (08) 9209 3066 FAX: (08) 9209 3933	SA/NT TEL: (08) 8241 7111 FAX: (08) 8241 7011	NZ TEL: (09) 447 1007 FAX: (09) 447 1008
---	---	---	--	---	--