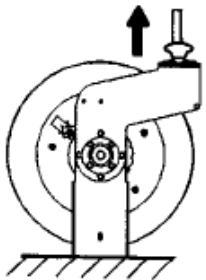
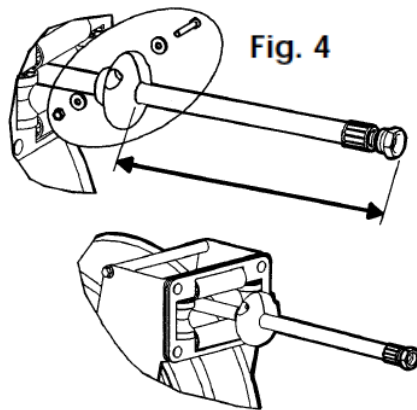
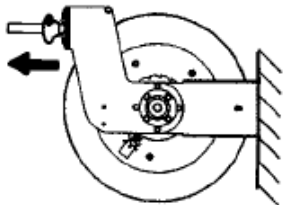
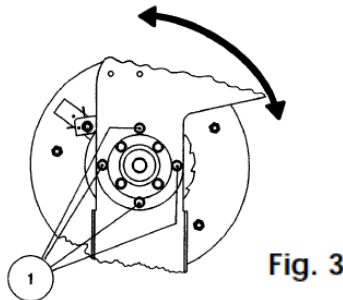
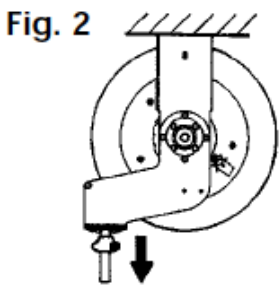


Description

Heavy duty, double arm, high volume automatic rewind open hose reel for air, water or oil.
Maximum hose capacity: 50' 3/4" I.D. hose, 75' 1/2" I.D. hose.

Installation / Operation

The hose reel is mounted directly on the wall, floor or ceiling.
For optimum operation and longer life, position the hose reel as shown in figure 2. To move the hose guide arms; remove the screws, (1) (figure 3) place the arms in required position and retighten the screws. To position the hose stop at appropriate length, uncoil the hose and latch it at the closest latching position. Loosen the hose stop and place it in required position and fasten it (figure 4).



Maintenance

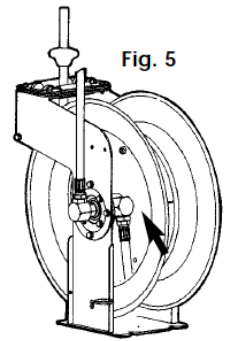
WARNING: Before carrying out any kind of maintenance, close the nearest shut off valve to the hose reel and open the dispensing valve to relieve the pressure in the hose.

WARNING: The reel spring is under very high tension and can cause serious injury if it is released. Therefore, do not attempt to service the spring inside the reel.



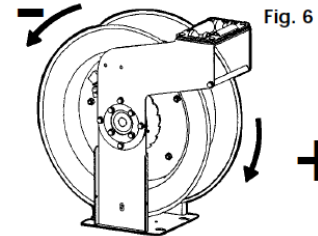
Hose replacement

1. Be sure that the hose reel is firmly fixed. Uncoil the hose until it is possible to disconnect it from the outlet adaptor (figure 5).
NOTE: Be careful so that the reel does not unlatch and begins to spin freely.
2. Remove the hose stop from the hose.
3. Attach the new hose and pull it firmly to release the latch.
4. Allow the hose to slowly retract until the required length for operating is left, and fasten the hose stop.
5. Make sure that the spring tension is correct by pulling out the hose completely and then let it retract properly, see Spring load adjustment.



Spring load adjustment

1. Uncoil the hose and latch it at the closest latching position.
2. Remove the hose stop and pull the hose to release the latch.
3. Let the hose go back in through the hose rollers and wrap it onto the reel.
NOTE: Be careful so that the reel does not begin to spin freely.
4. Rotate the reel either to increase or decrease the tension (figure 6).
5. Check if the hose pull out and retract completely. If not, repeat the procedure until it does.



Latch replacement

1. Uncoil the hose and latch it at the closest latching position.
2. Remove the hose stop and pull the hose to release the latch.
3. Let the hose go back in through the hose rollers and allow the reel to rotate slowly until the spring tension is released. NOTE: Be careful so that the reel does not begin to spin freely.
4. Unthread the screws (1) that hold the hose guide arm (2) and remove the arms (figure 7).
5. Remove the reel from base and the latch becomes accessible.
6. Clean the latch components or replace if necessary and assemble in opposite order (figure 8).
7. Make sure that the latch operates correctly and rotate the reel until the appropriate spring tension is achieved.
8. Fasten the hose stop.

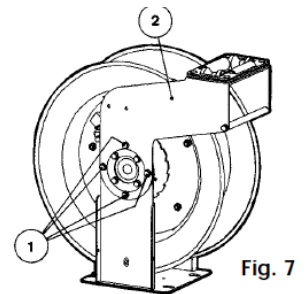
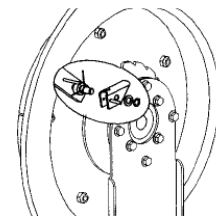


Fig. 8



Swivel replacement

1. Rewind the hose completely.
2. Disconnect the inlet hose (1) and remove the old swivel (2) (figure 9).
3. Lubricate the V-seal, insert it and assemble the new swivel (figure 10).
NOTE: The V-seal must be inserted with the tongue inwards.
4. Hold the reel spool and tighten the swivel firmly.

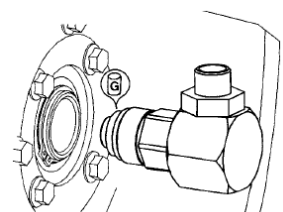
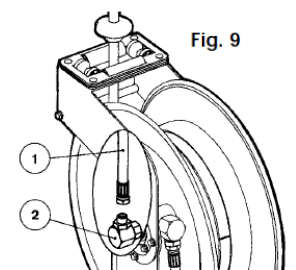


Fig. 10

NSW
TEL: (02) 9939 0711
FAX: (02) 9939 0411

QLD/PNG
TEL: (07) 3204 9166
FAX: (07) 3204 1224

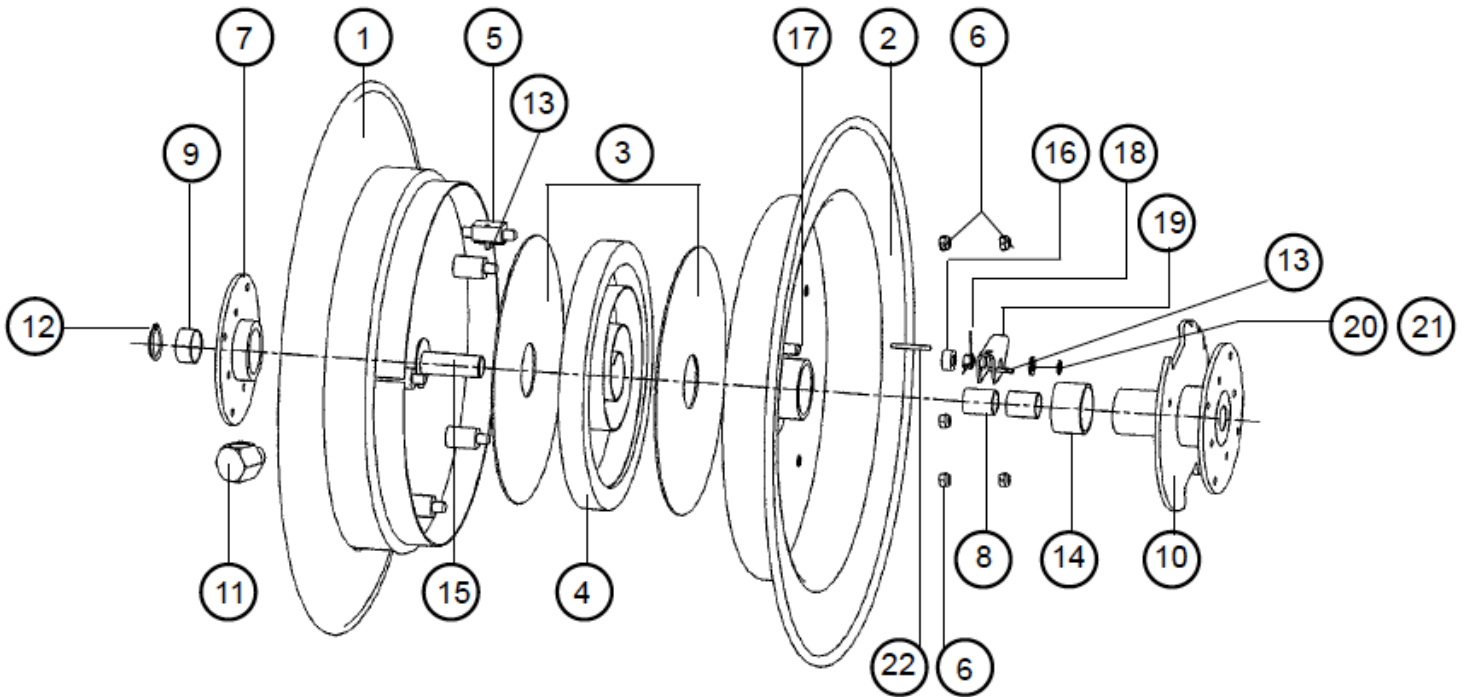
VIC/TAS
TEL: (03) 8787 8288
FAX: (03) 8787 8266

WA
TEL: (08) 9209 3066
FAX: (08) 9209 3933

SA/NT
TEL: (08) 8241 7111
FAX: (08) 8241 7011

NZ
TEL: (09) 447 1007
FAX: (09) 447 1008

Parts And Drawing Breakdown For The 505201



Item Number	Part Number	Product Description	Qty
1	750652	Reel half, hose side	1
2	750652	Reel half, latch side	1
3	750656	Spring disc	2
4	850304	Spring	1
5	750670	Spring attachment rod	1
6	941110	Nut 10 DIN 985	6
7	750664	Swivel side supplement	1
8	950550	Axis support	2
9	950551	Axis support	1
10	750667	Latch side supplement	1
11	750691	Elbow adaptor	1
12	942640	Washer DIN 471	1
13	943052	Pin DIN 1481	1
14	950552	Axis support	1
15	750687	Axis	1
16	750689	Latch supplement	1
17	750661	Latch axis	1
18	850305	Latch spring	1
19	750662	Latch	1
20	942060	Washer 10,5 DIN 433	1
21	942610	Circlip 10 DIN 471	1
22	943053	Pin DIN 1481	1

NSW
TEL: (02) 9939 0711
FAX: (02) 9939 0411

QLD/PNG
TEL: (07) 3204 9166
FAX: (07) 3204 1224

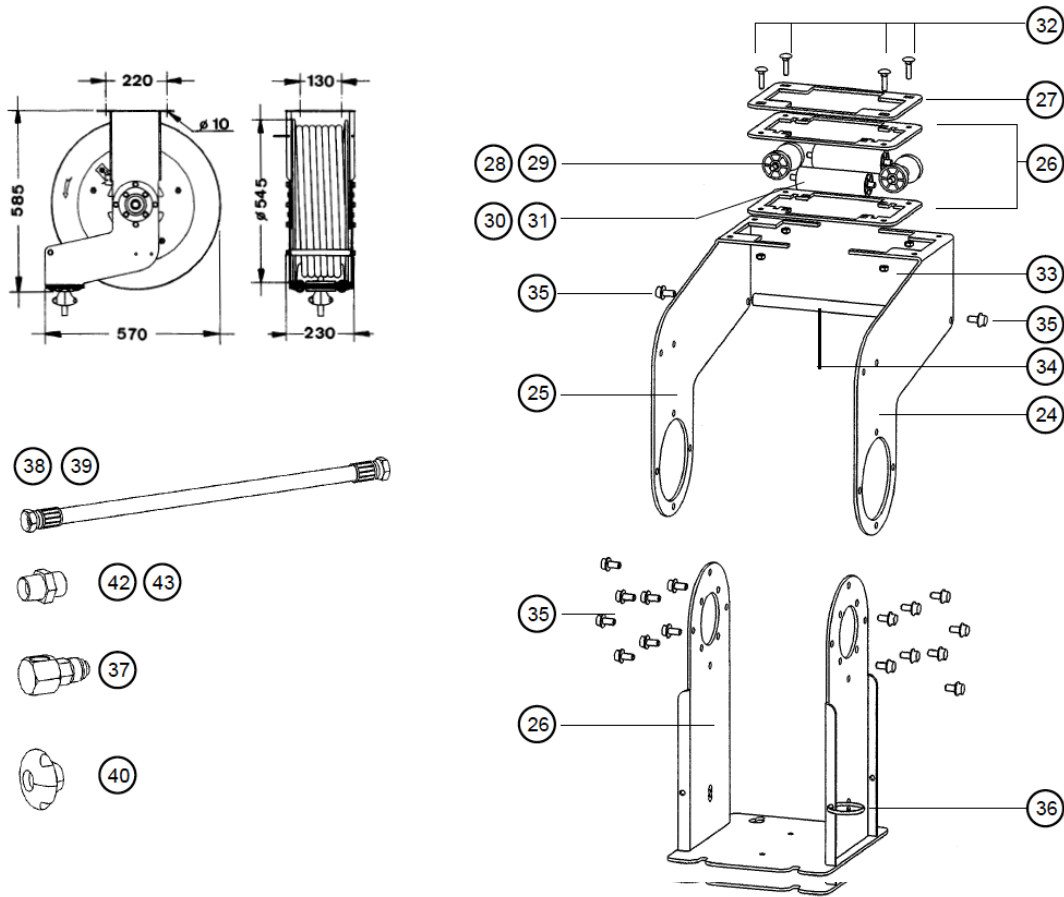
VIC/TAS
TEL: (03) 8787 8288
FAX: (03) 8787 8266

WA
TEL: (08) 9209 3066
FAX: (08) 9209 3933

SA/NT
TEL: (08) 8241 7111
FAX: (08) 8241 7011

NZ
TEL: (09) 447 1007
FAX: (09) 447 1008

Parts And Drawing Breakdown For The 505201



Item Number	Part Number	Product Description	Qty
23	750671	Hose reel base	1
24	750675	Right hose guide arm	1
25	750676	Left hose guide arm	1
26	750678	Roller fixing plate	2
27	750679	Roller fixing plate	1
28	750679	Roller axis, short	2
29	850606	Roller, short	2
30	750681	Roller axis, large	2
31	850605	Roller, large	2
32	940823	Tornillo M6x25 DIN 603	4
33	941106	Nut M6 DIN 985	4
34	750682	Rod	1
35	940038	Screw M8x16 DIN 6921	18
36	850302	Hose fixing ring	1

Accessories

37	750683	Swivel	
38	750317	Inlet hose (1/2" I.D. hose)	
39	750319	Inlet hose (3/4" I.D. hose)	
40	850501	Hose stop (1/2" I.D. hose)	
41	850500	Hose stop (3/4" I.D. hose)	
42	945593	Nipple (1/2")	
43	945675	Nipple (3/4")	
	750318	75' 1/2" I.D. hose	
	750315	50' 3/4" I.D. hose	

NSW

TEL: (02) 9939 0711
FAX: (02) 9939 0411

QLD/PNG

TEL: (07) 3204 9166
FAX: (07) 3204 1224

VIC/TAS

TEL: (03) 8787 8288
FAX: (03) 8787 8266

WA

TEL: (08) 9209 3066
FAX: (08) 9209 3933

SA/NT

TEL: (08) 8241 7111
FAX: (08) 8241 7011

NZ

TEL: (09) 447 1007
FAX: (09) 447 1008