

Description

The 501 rotary drum pump is suitable for the transfer of oil, diesel and petrol from 60 and 205 litre drums and bulk tanks. The Gladiator 501 rotary drum pumps vanes make it also suitable for the transfer of diesel fuel, unleaded and leaded petrol. The Gladiator 501 comes complete with 1.05 metres of Concertina type hose, spout, spout holster and 2" BSP bung adaptor & delivers approximately 18 litres per minute or 0.26 litres per rotation when pumping diesel fuel.

Specifications

Uses	Diesel, petrols, kerosene, lube oil and machine oil
Discharge Quantity	Approximately 70 turns / 18 litres per minute
Materials	Body hardened aluminum alloy; Handle - aluminum die cast; Seal-Buna N; Hose-Concertina type hose
Weight/length	3.6 kgs/1300mm (4.3ft)
Size	Suction Tube: 31.8mm (1¼") OD Delivery Hose: 25mm (3/4") ID x 1.05metres

Assembly Instructions

Mount handle assembly (501-9 & 501-10) to the pump body (501-1) with the aid of locking bolt (501-18). Screw the outlet spout (501-12) into the outlet of the pump body (501-1), and then screw upper suction tube (501-16) into the inlet of pump body (501-1).

When assembling pump & tubes, please ensure that all threads are completely airtight (use thread tape) otherwise the pump will not prime. Test prime by putting your hand over the bottom of the pump body inlet hole, turn handle in a clockwise direction. If you feel a strong suction on the palm of your hand the pump is operating correctly and is now ready to mount into the drum. If not, add a few drops of oil through the inlet hole and turn handle to lubricate internals.

If pumping fuels and the pump does not prime, lubricate pump body with some oil via the pump inlet

This may be performed as required if using petrol which can dry out the vanes inside reducing suction & priming.



Operating Instructions

When using as a siphon pump

- 1 Turn the handle 5 or 6 times. When the liquid begins to flow from the outlet, place handle at a horizontal direction.
- 2 If the liquid stops being transferred flowing, move the handle slightly.
- 3 After use, fix the handle to the indicated point. Then the liquid inside the pump can now flow back into the drum.
- 4 Siphoning will not work when pumping liquid of a high viscosity. The pump will not siphon successfully unless all hose and pump joints are fully tightened up and all connection points are completely airtight.

Caution

When pumping fuel, your pump must always be grounded to avoid static build up which may cause an explosion.

Do not use this pump for transferring solvents, strong alkalis or acids as the pumps seals and gaskets are incompatible with aggressive solutions.

Contact us for various chemical pump models available.

NSW

TEL: (02) 9939 0711

FAX: (02) 9939 0411

QLD/PNG

TEL: (07) 3889 8480

FAX: (07) 3889 8490

VIC/TAS

TEL: (03) 8787 8288

FAX: (03) 8787 8266

WA

TEL: (08) 9209 3066

FAX: (08) 9209 3933

SA/NT

TEL: (08) 8241 7111

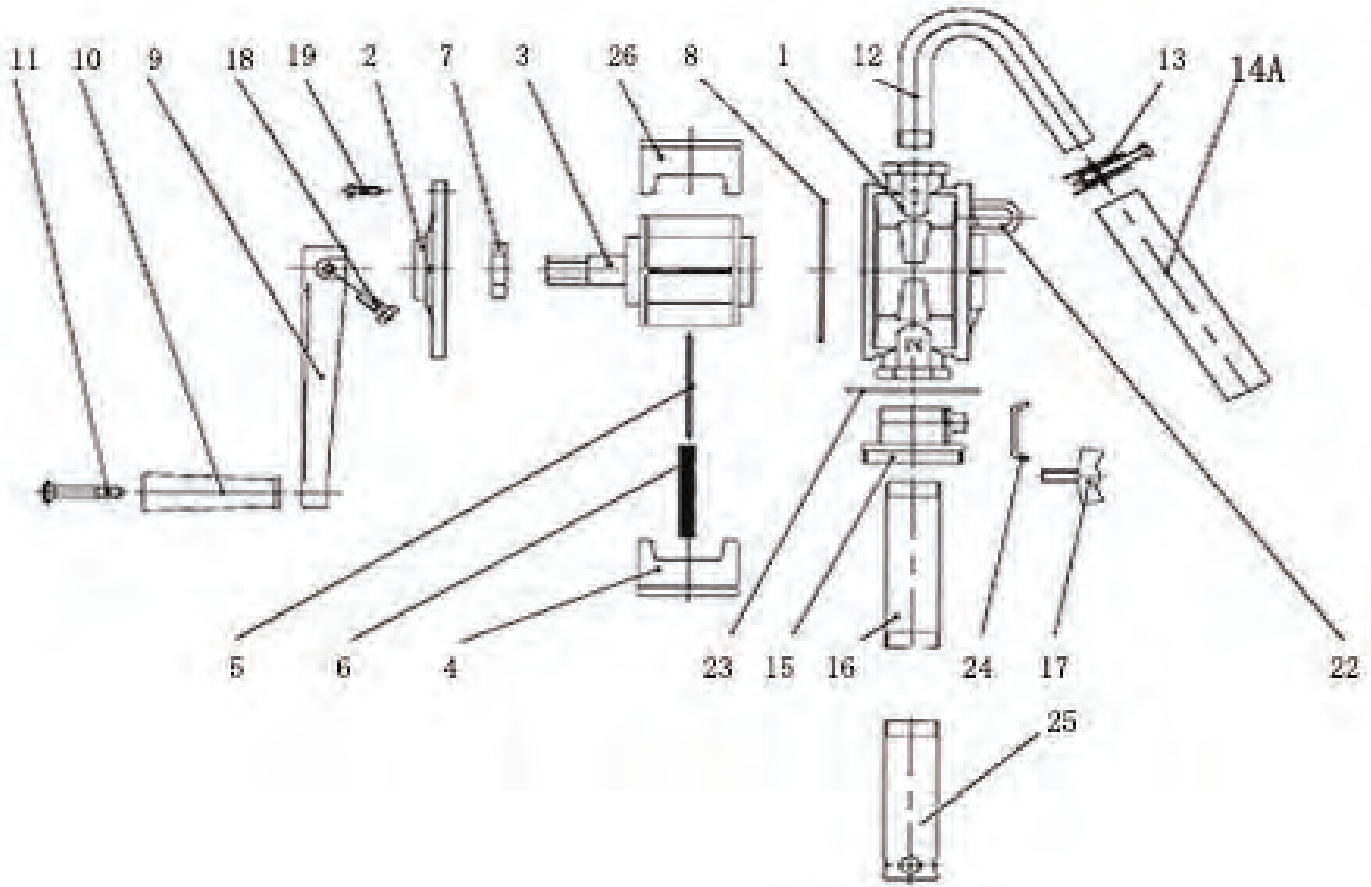
FAX: (08) 8241 7011

NZ

TEL: (09) 447 1007

FAX: (09) 447 1008

Parts and Drawing Breakdown For The 501



Ordering Spare Parts

Parts List – Part No. 501

ITEM	PART NO	DESCRIPTION	QTY
1	501A-1	Pump Body	1
2	501A-2	Pump Cover	1
3	501A-3	Rotor	1
4	501A-4	Vane	1
5	501A-5	Vane Pin	1
6	501A-6	Vane Spring	1
7	501A-7	Oil Seal	1
8	501A-8	O-Ring	1
9	501A-9	Handle Shaft	1
10	501A-10	Handle	1
11	501A-11	Grip Shaft	1
12	501A-12	Outlet Spout	1
13	501A-13	Hose Clamp	1
14A	501A-14A	Concertina Type Hose	1
15	501A-15-17-24	Bung Adaptor Assembly	1
16	501A-16	Upper Suction Tube	1
18	501A-18	Locking Bolt	1
19	501A-19	Locking Bolt	6
22	501A-22	Spout Holster	1
23	501A-23	Pump Cover Gasket	1
25	501A-25	Lower Suction Tube	1
26	501A-26	Vane	1

NSW
TEL: (02) 9939 0711
FAX: (02) 9939 0411

QLD/PNG
TEL: (07) 3889 8480
FAX: (07) 3889 8490

VIC/TAS
TEL: (03) 8787 8288
FAX: (03) 8787 8266

WA
TEL: (08) 9209 3066
FAX: (08) 9209 3933

SA/NT
TEL: (08) 8241 7111
FAX: (08) 8241 7011

NZ
TEL: (09) 447 1007
FAX: (09) 447 1008