

Description

The 424150 20kg grease kit with trolley is powered by an air operated reciprocating grease pump that is designed for high pressure greasing. Designed to be used with all types of grease (up to NLG-2 consistency) from the original drums, the Samoa 20kg grease kit is reliable, dependable and robust. The heavy-duty hand piece will not leak and the 55:1 ratio air motor of the grease pump will develop more than enough pressure to lubricate even the smallest lube points.

Specifications

Uses	Greasing applications in the industrial, mining, transport, automotive and agricultural sectors
Discharge Quantity	0.5 kg/min
Materials	Aluminium air motor housing and bung adaptor with steel downtube assembly
Weight	11kg
Outlet/Inlet	3/8" BSP (f)/ 1/4" BSP (f)

Operating instructions

The 424150 20kg grease kit pumps must be mounted grease drums by means of the drum cover that has a 2" BSP thread. To ensure consistent and reliable operation, particularly in areas where temperature drops to or 40 below zero, a grease follower plate is supplied to avoid the formation of air pockets and to enable the kit to use all of the grease supplied in a 20kg grease drum. In the case of pumps to be equipped with adaptor for a 2" threaded cover, release the bung adapt or jaws by removing the lower part of the bung adaptor. Screw it on to the 2" bung opening. Place the bung adaptor and the adaptors three jaws on the pumps pump tube assembly and finally tighten the adaptor back up.

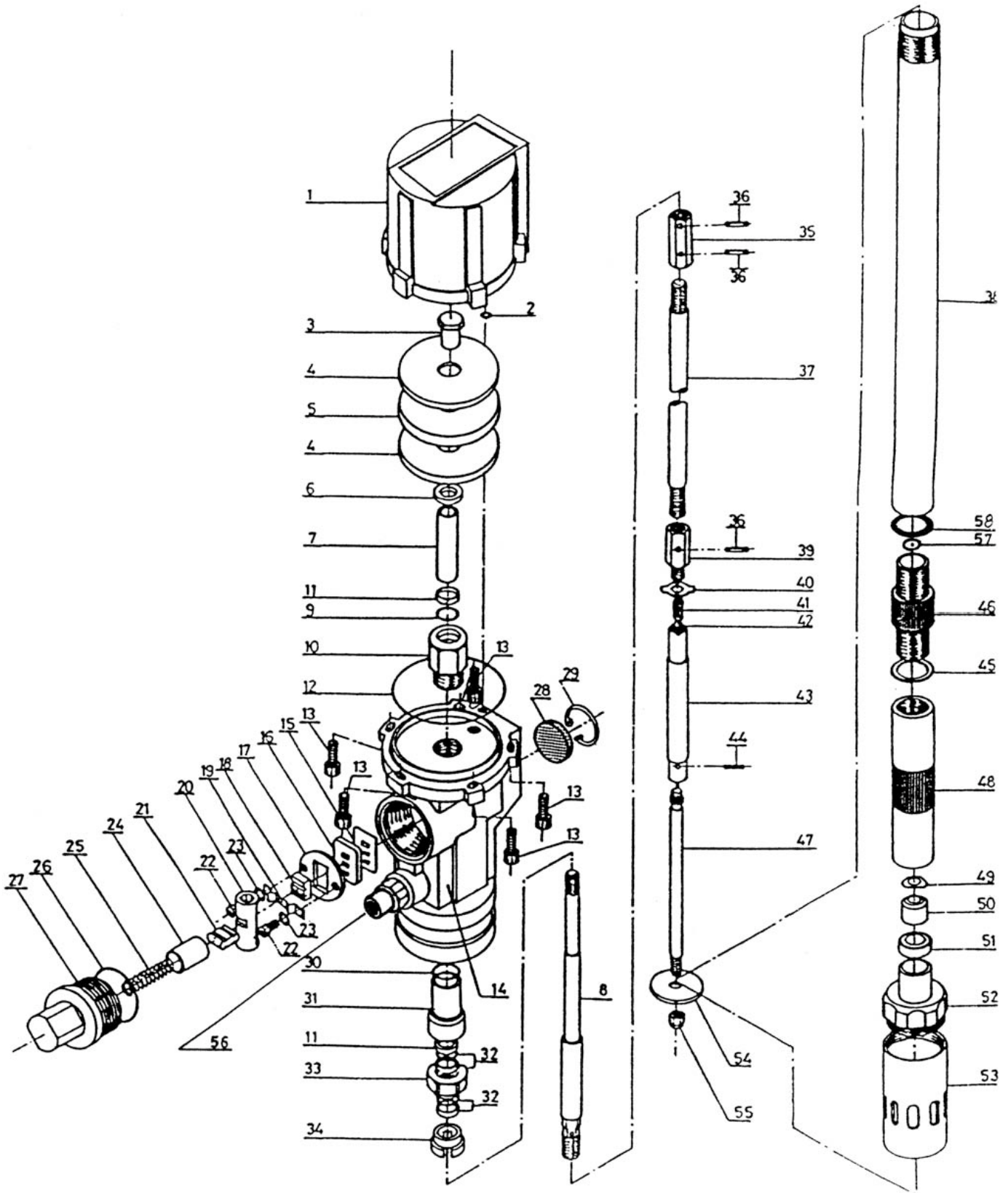
Carefully push the grease pump through the follower plate until the suction tube is partial introduced into the drum. The installation, using the necessary set of adaptors, of a compressed air service unit (filter and regulator) is recommended. In order to improve the efficiency of the pump, under extreme conditions, the installation of a lubricator is also recommended. The pumps air entry pressure must be limited to 10 bar, (140psi) maximum. If necessary, a pressure regulator may be installed.

Grease Discharge Connection

The grease discharge outlet is a 3/8" BSP (f) thread. Connect the said outlet to the high pressure hose. Check that the control valve is closed. Slowly open the pumps compressed air inlet valve. The pump which has already been primed at the manufacturing plant, will start to function filling the hose with grease. Maintain pressure on the grease control valve until the grease starts coming out of the grease control valves coupler. The 20kg grease kit is now ready for use.



Parts And Drawing Breakdown For The 424150 (Pump Only)



NSW
TEL: (02) 9939 0711
FAX: (02) 9939 0411

QLD/PNG
TEL: (07) 3204 9166
FAX: (07) 3204 1224

VIC/TAS
TEL: (03) 8787 8288
FAX: (03) 8787 8266

WA
TEL: (08) 9209 3066
FAX: (08) 9209 3933

SA/NT
TEL: (08) 8241 7111
FAX: (08) 8241 7011

NZ
TEL: (09) 447 1007
FAX: (09) 447 1008

Ordering Spare Parts

Parts List – Part No. 424150

ITEM No.	PART No.	DESCRIPTION	QTY
1	704100	Air motor dolly	1
2	946004	"O" Ring	1
3	740230	Air Piston Nut	1
4	740229	Air Piston Plate	2
5	840500	Air Piston	1
6	942108	Air Piston Washer	1
7	740227	Spacer	1
8	740225	Air Piston Rod	1
9-10-11	740223	Gland Housing Assembly	1
12	946028	Air Motor Body	1
13	940321	Air motor bolt	3
14	740101	Air motor body	5
15	740231	Valve Gasket	1
16	740232	Valve Seat	1
17	740233	Valve guide plate	1
18	840600	Valve slide	1
19	740234	Valve supporter	1
20	740226	Trip shoe	1
21	840601	Trip shoe guide	1
22	940300	Screw	2
23	942004	Washer	2
24	840602	Spring Holder	1
25	840300	Spring	1
26	946031	"O" Ring	1
27	740150	Spring Nut	1
28	835400	Exhaust Muffler	1
29	942728	Exhaust Muffler Circlip	1
30	946017	"O" Ring	1
31,32,11	740221	Seal Assembly (Large)	1
32,33	740222	Seal Assembly (Small)	1
34	740228	Grease Pass Washer	1
35	740203	Union Nut	3
36	943030	55:1 Pin	1
37	740302	Suction Rod	1
38	740303	Suction Tube	1
39	740205	Grease valve body	1
40	740206	Grease valve washer	1
41	801300	Grease valve spring	1
42	944151	Grease valve ball	1
43	740207	High pressure piston	1
44	943020	Pin	1
45	740217	Washer	1
46	740216	High pressure cylinder	1
47	740208	Shovel rod	1
48	740215	Foot tube	1
49	740209	Valve washer	1
50	740210	Foot valve assembly	1
51	740211	Foot valve seat	1
52	740213	Intake filter head assembly	1
53	740214	Intake filter tube	1
54	740212	Washer	1
55	941106	Nut	1
56	740237	Outside valve assembly	1
57	946013	Cylinder "O" Ring	1
58	946034	"O" Ring	1

NSW

TEL: (02) 9939 0711
FAX: (02) 9939 0411

QLD/PNG

TEL: (07) 3204 9166
FAX: (07) 3204 1224

VIC/TAS

TEL: (03) 8787 8288
FAX: (03) 8787 8266

WA

TEL: (08) 9209 3066
FAX: (08) 9209 3933

SA/NT

TEL: (08) 8241 7111
FAX: (08) 8241 7011

NZ

TEL: (09) 447 1007
FAX: (09) 447 1008

Trouble Shooting

TROUBLE	POSSIBLE CAUSES	REMEDY
The pump continues to operate after the grease control valves trigger has been released	Grease missing around the suction filter There is a grease leak at some point of the circuit. High pressure valve assembly or foot valve assembly closes incorrectly due to dirt or weaning	Remove drum cover and take out pump and follower plate, compact grease and fill the drum or replace it with a full one. Check and tighten unions. Repair the leak. Disassemble and clean valves. In case of damage, replace them.
Grease leaks through the air exhaust	Damaged large packing set, small packing set or O Ring Suction tube not sufficiently threaded into the air motor body	Replace damaged elements. Tighten the threaded union. Always check the correct position of the O Ring to avoid damaging it during assembly and disassembly.
Air leaks through the air exhaust	The sliding valve does not close properly Broken valve support Broken spring Damaged air piston Damaged o ring	Disassemble and clean. Substitute in case of damage. Replace. Replace. Replace. Replace the guide set.
Reduction of the amount of grease delivered	Air pockets in the grease drum Dirt in the high pressure valve assembly or in the foot valve assembly	Remove the cover and take out the pump and the follower plate. Compact the grease and fill the drum or substitute it for a full one Disassemble and clean. If damaged, substitute it.
Reduced pressure in the grease delivery	Scratched high pressure cylinder or high pressure piston	Replace them.

NSW

TEL: (02) 9939 0711

FAX: (02) 9939 0411

QLD/PNG

TEL: (07) 3204 9166

FAX: (07) 3204 1224

VIC/TAS

TEL: (03) 8787 8288

FAX: (03) 8787 8266

WA

TEL: (08) 9209 3066

FAX: (08) 9209 3933

SA/NT

TEL: (08) 8241 7111

FAX: (08) 8241 7011

NZ

TEL: (09) 447 1007

FAX: (09) 447 1008